

# 60cm Series 9 Contemporary Built-In Combination Microwave Oven

Series 9 | Contemporary

Stainless Steel

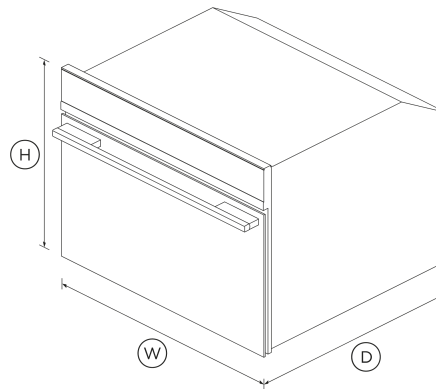


The speed of microwave cooking with the versatility of convection oven technology in a companion model, for perfect pairing.

- 37L total capacity
- 10 different auto cooking modes including Defrost , plus convection cooking or Grill
- Part of our suite of companion products, designed to match aesthetically for flexible configurations.

## DIMENSIONS

Height	458 mm
Width	596 mm
Depth	562 mm



## FEATURES & BENEFITS

### Sized To Suit

A compact 60cm width means this Microwave Oven can be placed almost anywhere – all companion products can be installed at a convenient height to suit your kitchen design and preference.

### Cooking Flexibility

Choice of nine cooking modes including Fan Forced and Grill, giving you the best of microwave and convection oven technology.

### Easy To Use

An easy-to-use, intuitive display gives you all the information you need, including a cooking guide with nine pre-selected food cooking recipes.

### Complementary Design

Finished in black reflective glass with a polished metal trim, this Microwave Oven is designed to match the other companion products and the rest of Fisher & Paykel's kitchen family.

### Safe & Sound

The CoolTouch door is safe to touch from the outside, protecting your hands and the surrounding cabinetry.

### Easy Cleaning

This Microwave Oven has formed side racks and a stainless steel interior that are easy to clean.

## SPECIFICATIONS

### Accessories (included)

Baking pan	1
Glass turntable	1
Wire shelf	1

### Accessories (sold separately)

Handle kit Contemporary round, aluminium	<b>Optional round handle</b>
Optional 76cm/30" trim kit	<b>Part 81883</b>
Optional round handle	<b>Part 81671</b>

### Capacity

Shelf positions	3
Total capacity	37 L
Usable capacity	33 L

Microwave cooking	•
Number of functions	9
Ring + grill	•

The product dimensions and specifications in this page apply to the specific product and model. Under our policy of continuous improvement, these dimensions and specifications may change at any time. You should therefore check with Fisher & Paykel's Customer Care Centre to ensure this page correctly describes the model currently available. © Fisher & Paykel Appliances Ltd 2020

**Cleaning**

Easy clean stainless steel interior	•
Easy to clean formed side racks	•

**Performance**

Grill power	1500 W
Microwave power	900 W
Microwave power levels	6

**Other product downloads available at fisherpaykel.com**

- [↓ 2D-DWG Combination Microwave Oven](#)
- [↓ 2D-DXF Combination Microwave Oven](#)
- [↓ Archicad Combination Microwave Oven](#)
- [↓ Archicad Combination Microwave Oven with 760mm Trim](#)
- [↓ Data Sheet Combination Microwave Oven](#)
- [↓ Service & Warranty](#)
- [↓ Installation Guide](#)
- [↓ Installation Guide](#)
- [↓ Revit Combination Microwave Oven](#)
- [↓ Revit Combination Microwave Oven with 600mm Trim](#)
- [↓ Revit Combination Microwave Oven with 760mm Trim](#)
- [↓ Rhino Combination Microwave Oven](#)
- [↓ Rhino Combination Microwave Oven with 600mm Trim](#)
- [↓ Rhino Combination Microwave Oven with 760mm Trim](#)
- [↓ Restriction of Hazardous Substances](#)
- [↓ Restriction of Hazardous Substances](#)
- [↓ Sketchup Combination Microwave Oven](#)
- [↓ Sketchup Combination Microwave Oven with 600mm Trim](#)
- [↓ Sketchup Combination Microwave Oven with 760mm Trim](#)
- [↓ User Guide](#)
- [↓ User Guide](#)

**Consumption**

Microwave energy consumption	1.65 kWh
------------------------------	----------

**Power requirements**

Amperage	15 A
Supply frequency	60 Hz
Supply voltage	220 V

**Controls**

Audio feedback	•
Automatic cooking/minute timer	•
Celsius/Fahrenheit temperature	•
Electronic capacitive touch controls	•
Electronic oven control	•
Intuitive touchscreen display	•

**Product dimensions**

Depth	562 mm
Height	458 mm
Width	596 mm

**Functions**

Defrost by time	•
Defrost by weight	•
Fan forced	•
Fan grill	•
Grill	•
Microwave + grill	•
Microwave + ring	•

**Safety**

Control panel key lock	•
CoolTouch door	•

SKU	81932
-----	-------

**Where applicable:**

All appliances use energy, and energy usage typically generates carbon emissions. **Fisher & Paykel Appliances' In-use Energy Carbon Emissions Estimate** indicates carbon emissions from a product's in-use energy. This is calculated either annually or per cycle, using the product's market-specific energy label energy consumption data multiplied by the carbon emissions factor for energy in your country or region.

Our In-use Energy Carbon Emissions Estimate is designed to assist customers in making informed purchasing decisions when comparing different Fisher & Paykel products. For example, a heat pump dryer typically has a lower In-use Energy Carbon Emissions Estimate than a vented dryer.