

**INTEGRATED DOUBLE DISHDRAWER™
DISHWASHER**

PLANNING GUIDE

DD60DHI9 CN | DD60DTX6HI1 CN

This comprehensive planning guide provides you with the framework and tools to achieve your desired design outcome with Fisher & Paykel appliances. In this guide, you will find a range of conceptual, detailed, and dimensional product information to bring your ideas to life and create spaces that truly reflect your vision.

CONTENTS

| CONCEPT DESIGN | PAGE | DEVELOPED AND DETAILED DESIGN | PAGE | DEVELOPED AND DETAILED DESIGN | PAGE |
|-----------------------|-------------|--|-------------|--------------------------------------|-------------|
| Design Choices | 4 | DD60DH19 CN | | Handle Kits | 13 |
| | | Data Sheets Door Panels | 5 | Contemporary Square Fine Handle | 14 |
| | | Standard Height with Stainless Steel Door Panels | 6 | | |
| | | Standard Height with Custom Door Panels | 7 | | |
| | | Toe Kick Information | 8 | | |
| | | DD60DTX6HI1 CN | | | |
| | | Data Sheets Door Panels | 9 | | |
| | | Tall Height with Stainless Steel Door Panels | 10 | | |
| | | Tall Height with Custom Door Panels | 11 | | |
| | | Toe Kick Information | 12 | | |

The models shown in this Planning Guide may not be available in all markets and are subject to change at any time. Product specifications may vary from those shown. This Planning Guide should not be used as installation guidance for any product. Further information is required to safely and correctly install the products featured here. Specific installation guidance will be available with the product on delivery and on our website fisherpaykel.com

DESIGN CHOICES

PRODUCT HEIGHT



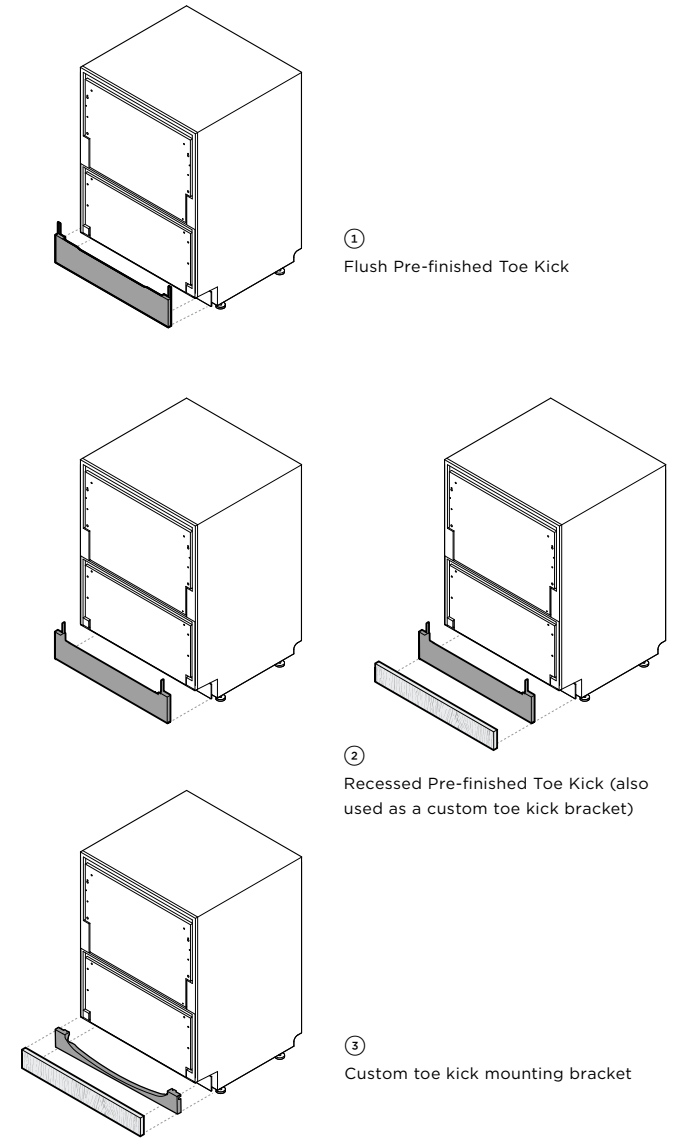
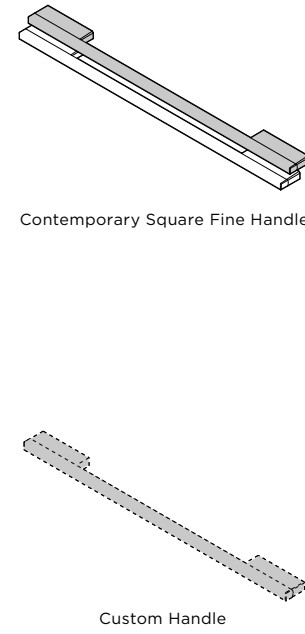
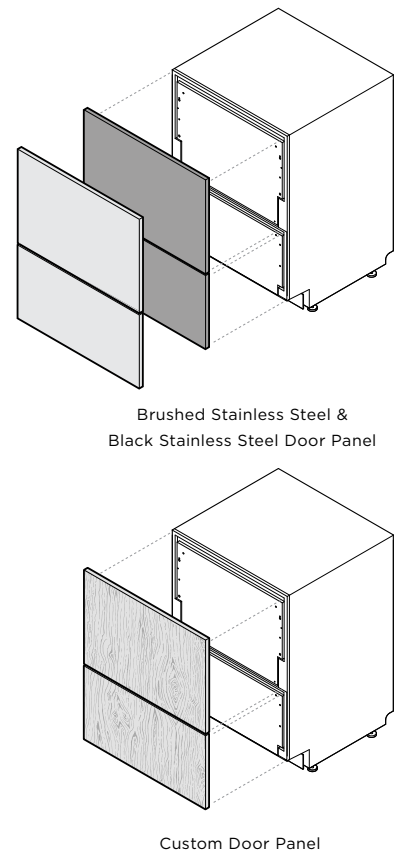
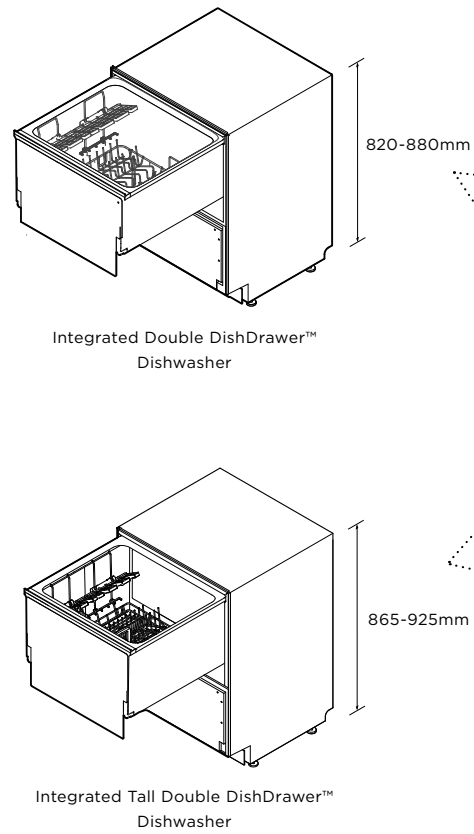
DOOR PANEL STYLE



HANDLE OPTION



TOE KICK OPTION



| PRODUCT HEIGHT | MODELS | |
|---|-----------------|----------------|
| | Standard Height | Tall Height |
| Integrated Double DishDrawer™ Dishwasher | DD60DH19 CN | |
| Integrated Tall Double DishDrawer™ Dishwasher | | DD60DTX6HI1 CN |

Note: Custom door panels, toekick and handles to be manufactured / fitted by cabinetmaker.

| DOOR PANEL MODELS | Standard Height | Tall Height |
|-----------------------------------|-------------------------------------|-------------|
| | Brushed Stainless Steel Door Panels | ADDD60DPX |
| Black Stainless Steel Door Panels | ADDD60DPB | ADDD60TPB |

| HANDLE MODELS* | Brushed Aluminium | Brushed Black Aluminium |
|----------------|----------------------------------|-------------------------|
| | Contemporary Square Fine Handle* | AHD5DDW60S |

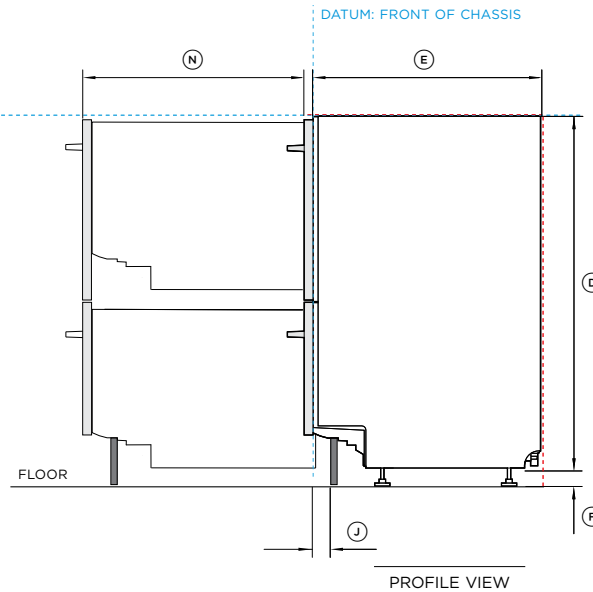
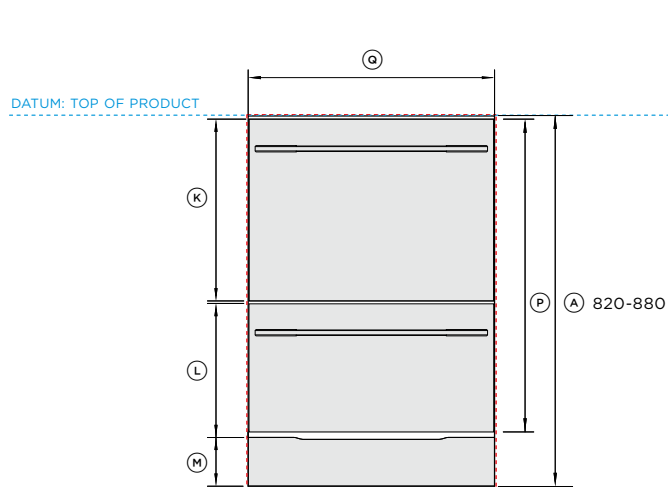
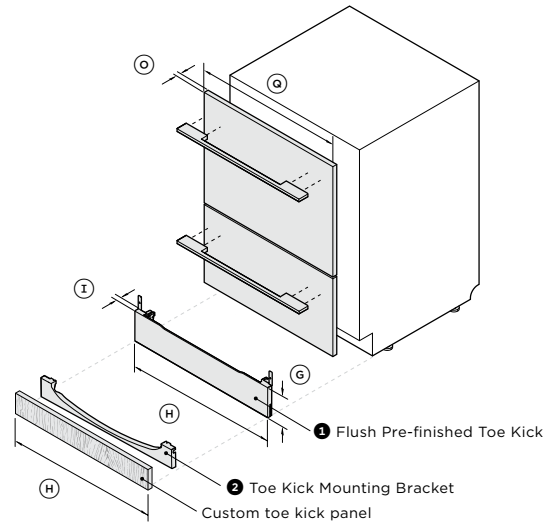
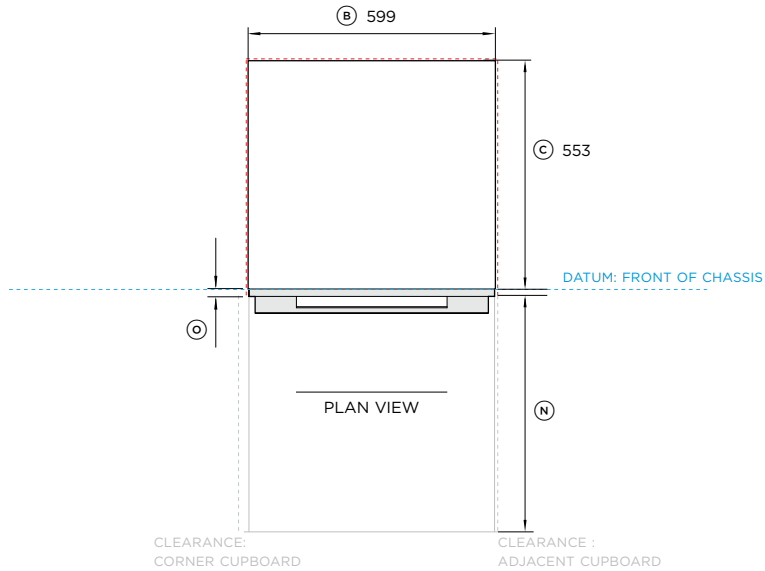
*Two Handle kits required for Double DishDrawer™ Dishwashers
Handles can be applied to Double DishDrawer™ Dishwasher models with Custom Door Panels or Stainless Steel Door Panels

| TOE KICK | Toe kicks supplied with product | |
|-------------|--|--|
| | Standard Height | Tall Height |
| DD60DH19 | ① Flush Pre-finished Toe Kick* ③ Custom Toe Kick Mounting Bracket** | |
| DD60DTX6HI1 | | ① Flush Pre-finished Toe Kick* ② Recessed Pre-finished Toe Kick** (also used as mounting bracket for custom toe kick) |

For a 20mm - 36mm recess from front of door bracket to front of toe kick panel
**For a 40mm - 100mm recess from front of door bracket to front of toe kick panel*

The models shown in this Planning Guide may not be available in all markets and are subject to change at any time. Product specifications may vary from those shown. This Planning Guide should not be used as installation guidance for any product. Further information is required to safely and correctly install the products featured here. Specific installation guidance will be available with the product on delivery and on our website fisherpaykel.com

DOOR PANEL ACCESSORIES + TOE KICK INFORMATION DD60DHI9 CN



Model no:

DD60DH19 CN Integrated Double DishDrawer™ Dishwasher

Product includes the following toe kicks:

- 1 Flush Pre-Finished Toe Kick
 - 2 Custom Toe Kick Mounting Bracket
- Shown with Stainless Steel Door Panels and Contemporary Square Fine Handle.
NOTE: Refer to Purchase Decision page for all door panel and handle options

| Product Dimensions | mm |
|--|---------------------|
| A Overall height of product* | 820 - 880 |
| B Overall width of product | 599 |
| C Overall depth of product (without handle and door panel) | 553 |
| D Height of chassis | 811 |
| E Depth of chassis | 553 |
| F Height of feet* | 10 - 70 |
| G Flush pre-finished toe kick panel height (customisable) 1 | 58 - 118 |
| H Flush pre-finished toe kick panel width 1 Custom toe kick panel width 2 | min. 596 596 |
| I Flush pre-finished toe kick panel depth 1 | 16 |
| J Flush pre-finished toe kick recess depth 1** Custom toe kick bracket recess depth 2** | 20 - 36 40 - 100 |
| K Height of upper door panel | 398 |
| L Height of lower door panel | 311 |
| M Height of toe kick space | 58 - 118 |
| N Maximum extension of drawer | 527 |
| O Depth of pre finished door panel | 18 |
| P Overall height of pre finished door panels | 717 |
| Q Door panel width | 595 |

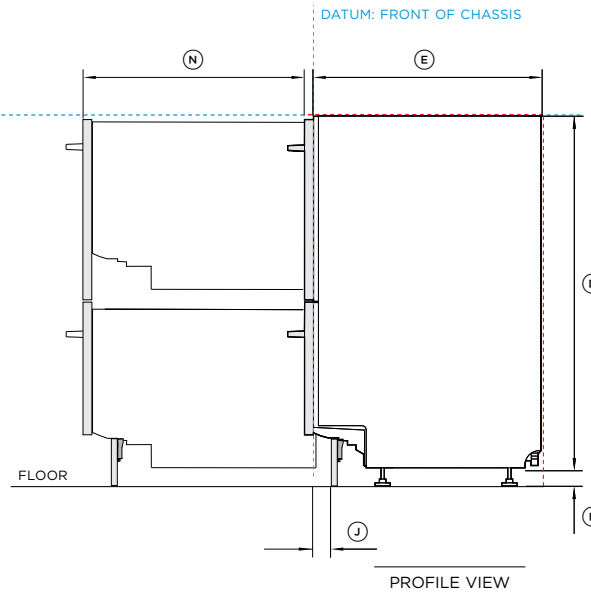
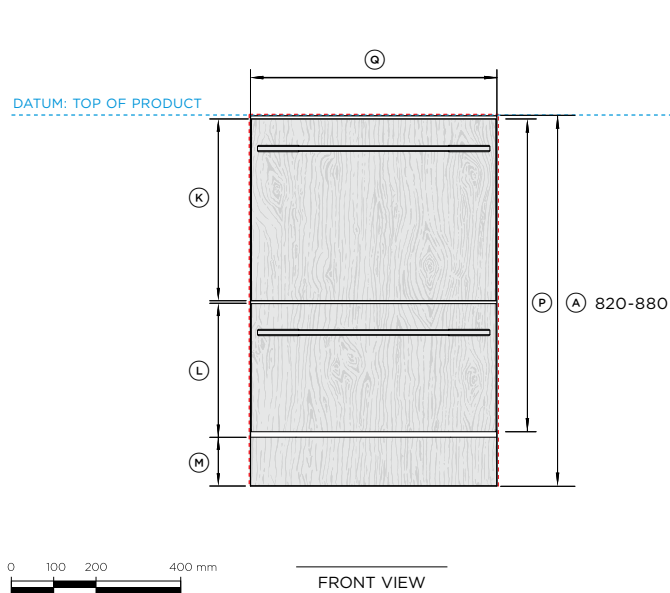
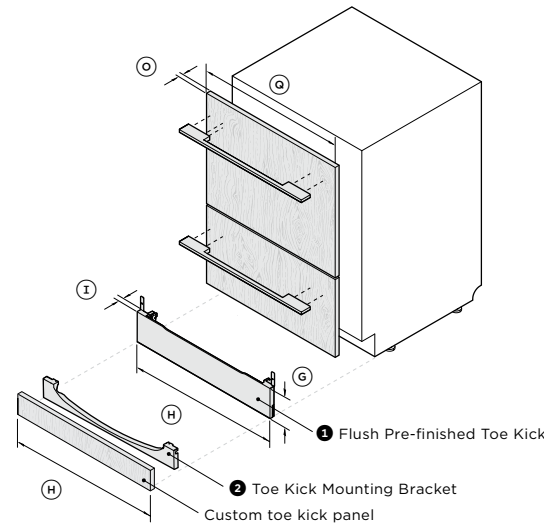
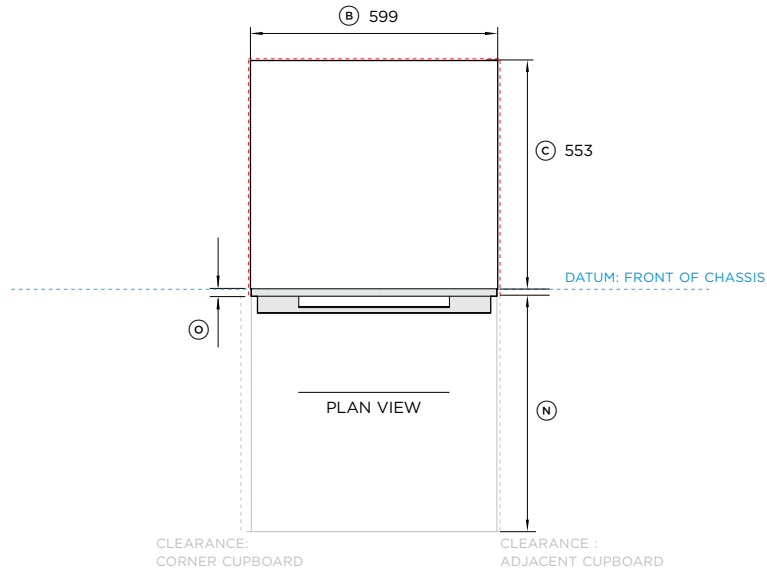
*Depending on adjustment of levelling feet
**Excluding custom toe kick and door panel

| Minimum Clearances | mm |
|---|-----|
| Minimum inside height of cavity* | 820 |
| Minimum inside width of cavity | 600 |
| Minimum overall depth of cavity** | 560 |
| Minimum clearance to corner cupboard | 13 |
| Minimum clearance to adjacent cupboard door | 2 |

*Depending on adjustment of levelling feet
**Including 19mm door panels on adjacent cabinetry

INDICATES CABINETRY / PRODUCT DATUM -----
INDICATES CABINETRY CLEARANCES - - - - -
INDICATES CUTOUT - - - - -

IMPORTANT NOTE: Throughout this guide, dimensions may vary by ±2mm (1/16"). Please read the installation manual for detailed information on installing the product. For full installation instructions & specifications visit fisherpaykel.com



Model no:

DD60DH19 CN Integrated Double DishDrawer™ Dishwasher

Product includes the following toe kicks:

- 1 Flush Pre-Finished Toe Kick
 - 2 Custom Toe Kick Mounting Bracket
- Shown with Custom Panels and Contemporary Square Fine Handle.
NOTE: Refer to Purchase Decision page for all door panel and handle options.

| Product Dimensions | mm |
|--|---------------------|
| A Overall height of product* | 820 - 880 |
| B Overall width of product | 599 |
| C Overall depth of product (without handle and door panel) | 553 |
| D Height of chassis | 811 |
| E Depth of chassis | 553 |
| F Height of feet | 10 - 70 |
| G Flush pre-finished toe kick panel height (customisable) 1 | 58 - 118 |
| H Flush pre-finished toe kick panel width 1 Custom Toe Kick panel width 2 | min. 596 596 |
| I Flush pre-finished toe kick panel depth 1 | 16 |
| J Flush pre-finished toe kick recess depth 1** Custom toe kick bracket recess depth 2** | 20 - 36 40 - 100 |
| K Height of upper custom door panel | 398 |
| L Height of lower custom door panel | 311 |
| M Height of toe kick space | 58 - 118 |
| N Maximum extension of drawer | 527 |
| O Depth of custom door panel | 18 |
| P Overall height of custom door panels | 717 |
| Q Door panel width | 595 |

*Depending on adjust*ent of levelling feet
**Excluding custom toe kick and door panel

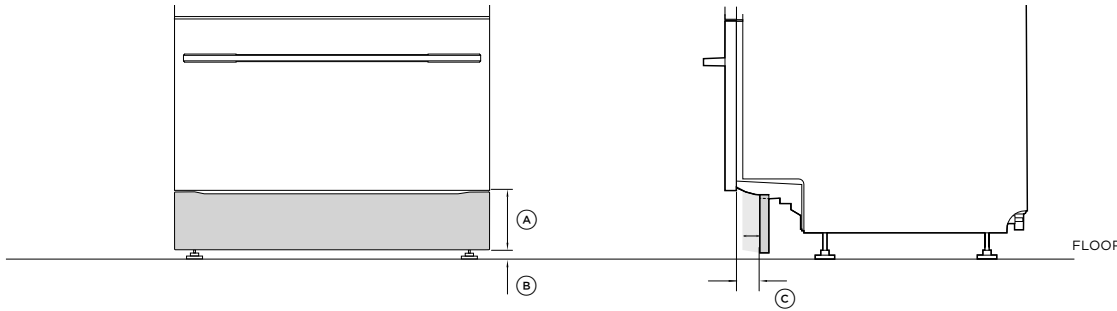
| Minimum Clearances | mm |
|---|-----|
| Minimum inside height of cavity* | 820 |
| Minimum inside width of cavity | 600 |
| Minimum overall depth of cavity** | 560 |
| Minimum clearance to corner cupboard | 13 |
| Minimum clearance to adjacent cupboard door | 2 |

*Depending on adjustment of levelling feet
**Including 19mm door panels on adjacent cabinetry

INDICATES CABINETY / PRODUCT DATUM -----
INDICATES CABINETY CLEARANCES - - - - -
INDICATES CUTOUT - - - - -

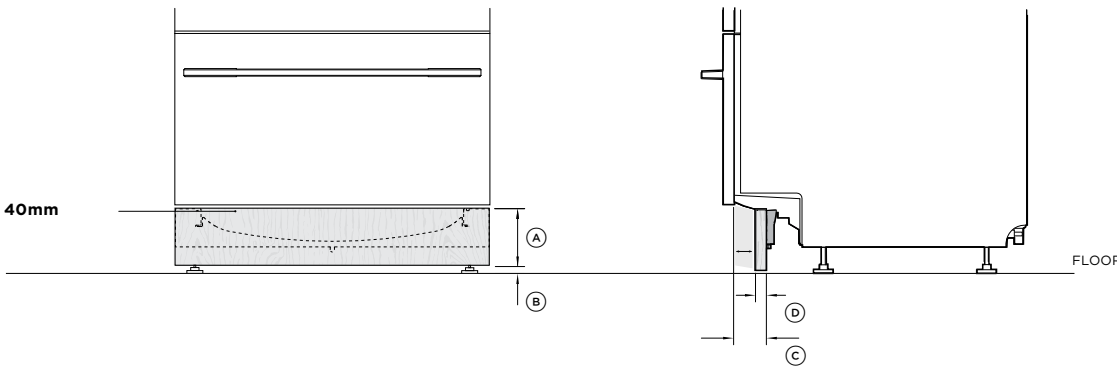
IMPORTANT NOTE: Throughout this guide, dimensions may vary by ±2mm (1/16"). Please read the installation manual for detailed information on installing the product. For full installation instructions & specifications visit fisherpaykel.com

1 FLUSH PRE-FINISHED TOE KICK

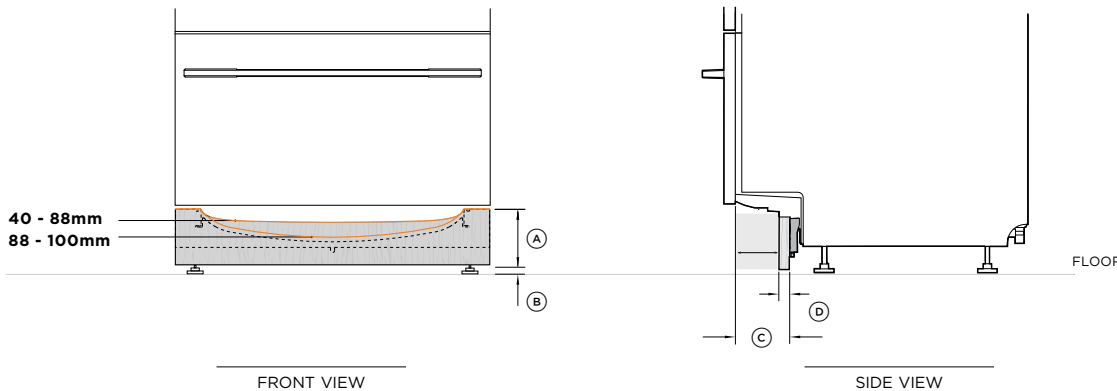


2 CUSTOM TOE KICK MOUNTING BRACKET WITH CUSTOM TOE KICK PANEL

2A. Recess depth 40mm



2B. Recess depth 40 - 88mm
2C. Recess depth 88 - 100mm



Model no:

DD60DH19 CN Integrated Double DishDrawer™ Dishwasher
Shown with Stainless Steel Panels, ADDD60DPX

1 FLUSH PRE-FINISHED TOE KICK

| Flush pre-finished toe kick depth consideration | mm |
|--|----------|
| (A) Toe kick panel height* | 58 - 118 |
| (B) Minimum clearance between toe kick panel and floor | 12 |
| (C) Depth of toe kick recess** | 20 - 36 |

2 CUSTOM TOE KICK MOUNTING BRACKET WITH CUSTOM TOE KICK PANEL

2A. Custom toe kick panel (recess depth 40mm)

| | mm. |
|---|----------|
| (A) Toe kick panel height* | 58 - 118 |
| (B) Minimum clearance between custom toe kick panel and floor | 12 |
| (C) Depth of toe kick recess** | 40 |
| (D) Minimum toe kick panel depth (thickness)*** | 9 |

2B. Custom toe kick panel (recess depth 40 - 88mm)

| | mm |
|---|----------|
| (A) Toe kick panel height* | 58 - 118 |
| (B) Minimum clearance between custom toe kick panel and floor | 12 |
| (C) Depth of toe kick recess** | 40 - 88 |
| (D) Minimum custom toe kick panel depth (thickness)*** | 9 |

3C. Custom toe kick panel (recess depth 88 - 100mm)

| | mm |
|---|----------|
| (A) Toe kick panel height* | 58 - 118 |
| (B) Minimum clearance between custom toe kick panel and floor | 12 |
| (C) Depth of toe kick recess** | 88 - 100 |
| (D) Minimum custom toe kick panel depth (thickness)*** | 9 |

*Toe kick panel should be adjusted accordingly

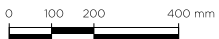
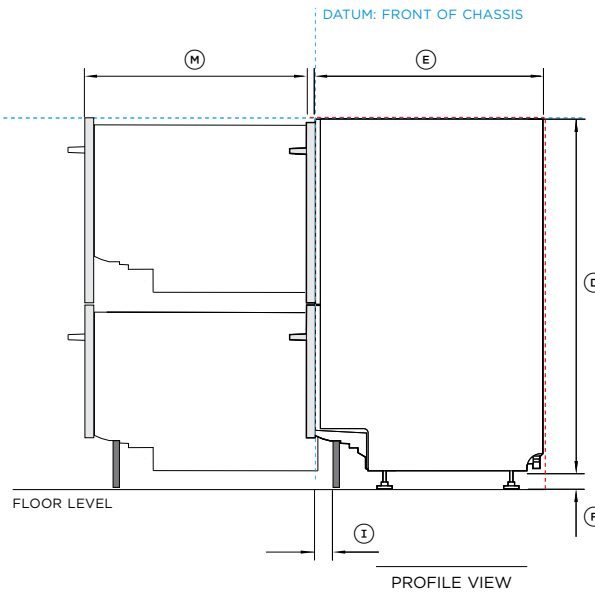
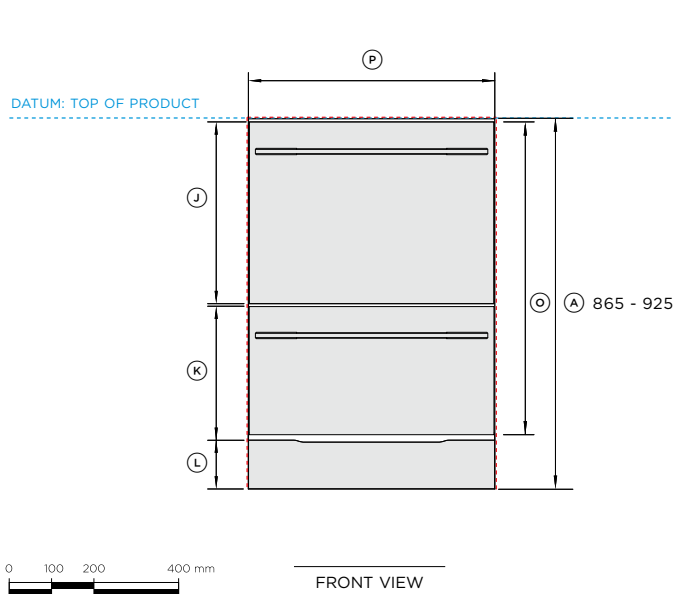
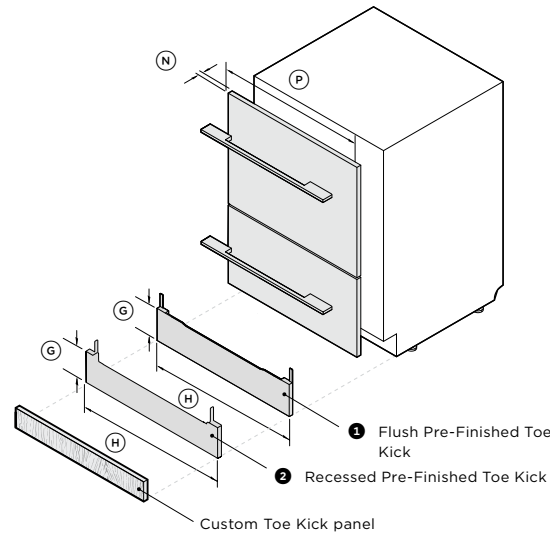
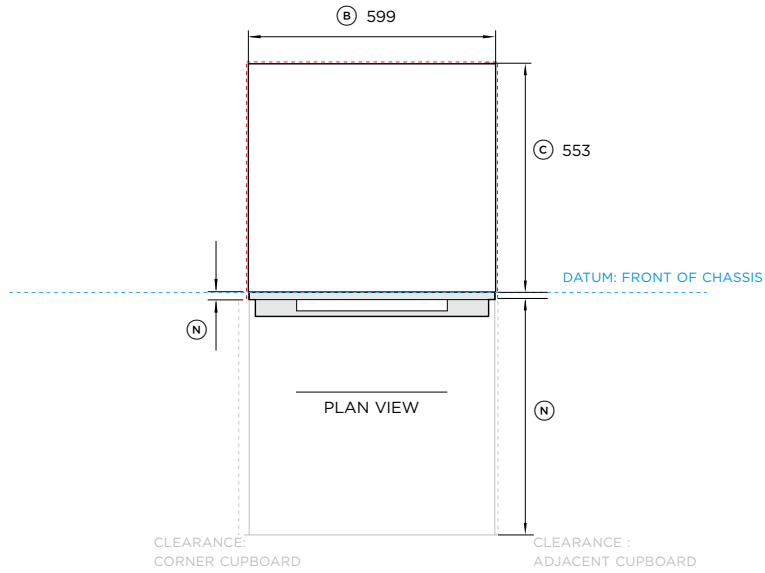
**Excluding custom panel and handle

***If using supplied toe kick mounting screws. Panel can be fixed via screwing or gluing to the supplied mounting bracket

INDICATES TRIM LINE -----

IMPORTANT NOTE: Throughout this guide, dimensions may vary by ±2mm (1/16"). Please read the installation manual for detailed information on installing the product. For full installation instructions & specifications visit fisherpaykel.com

DOOR PANEL ACCESSORIES + TOE KICK INFORMATION
DD60DTX6HI1 CN



Model no:

DD60DTX6H11 CN Integrated Tall Double DishDrawer™ Dishwasher

Product includes the following toe kicks:

- ❶ Flush Pre-Finished Toe Kick
 - ❷ Recessed Pre-Finished Toe Kick (also used as a custom toe kick bracket)
- Shown with Stainless Steel Door Panels and Contemporary Square Fine Handle.
NOTE: Refer to Purchase Decision page for all door panel and handle options.

| Product Dimensions | mm |
|--|-----------|
| Ⓐ Overall height of product* | 865 - 925 |
| Ⓑ Overall width of product | 599 |
| Ⓒ Overall depth of product (without handle and door panel) | 553 |
| Ⓓ Height of chassis | 855 |
| Ⓔ Depth of chassis | 553 |
| Ⓕ Height of feet | 10 - 70 |
| Ⓖ Flush Pre-Finished Toe Kick height ❶ | 45 - 123 |
| Recessed Pre-Finished Toe Kick height ❷ | 45 - 123 |
| Ⓗ Flush Pre-Finished Toe Kick width ❶ | min. 596 |
| Recessed Pre-Finished Toe Kick width ❷ | 596 |
| Ⓘ Flush Pre-Finished Toe Kick depth ❶ ** | 20 - 36 |
| Recessed Pre-Finished Toe Kick depth ❷ ** | 40 - 100 |
| Ⓙ Height of upper door panel | 442 |
| Ⓚ Height of lower door panel | 311 |
| Ⓛ Height of toe kick space | 58 - 118 |
| Ⓜ Maximum extension of drawer | 527 |
| Ⓝ Depth of door panel | 18 |
| Ⓞ Overall height of door panels | 761 |
| Ⓟ Door panel width | 595 |

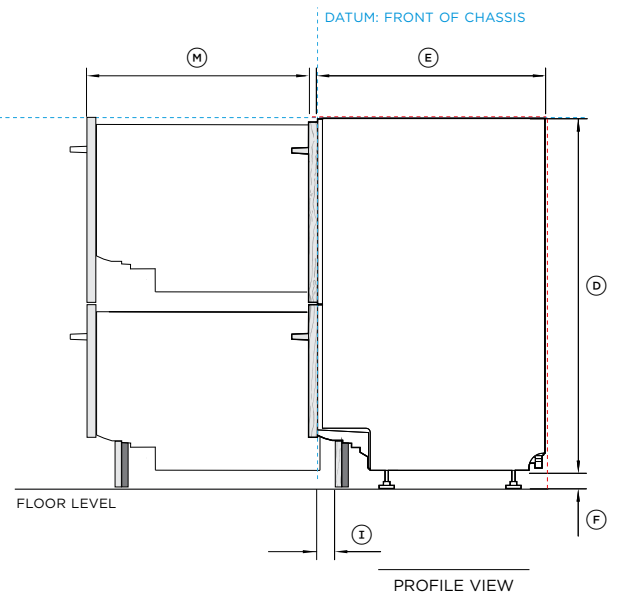
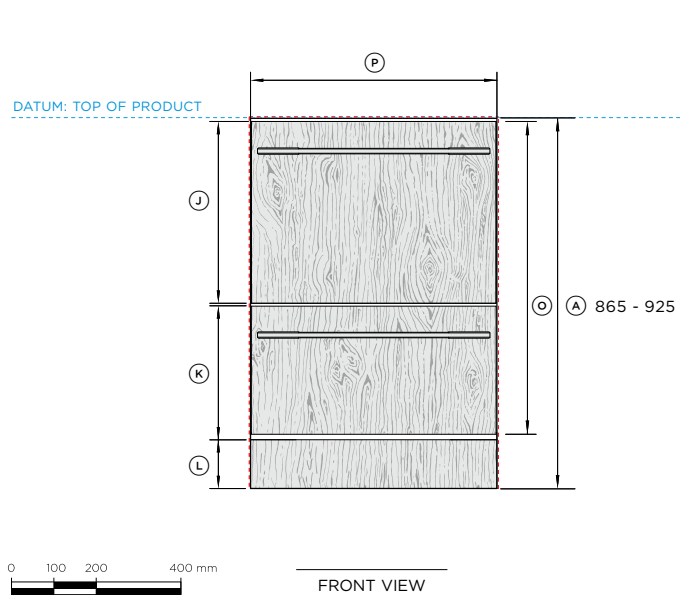
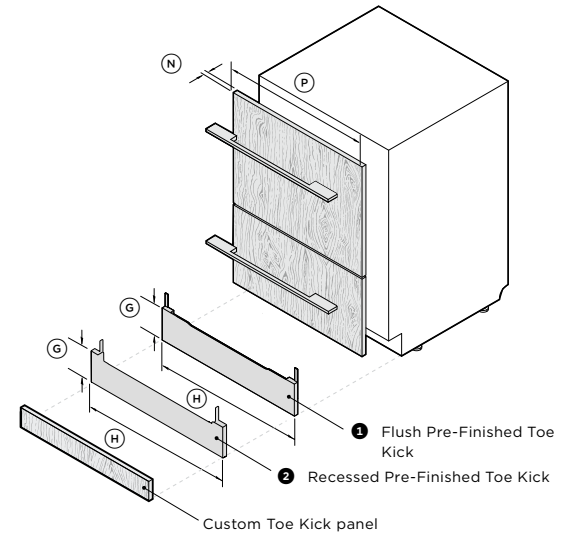
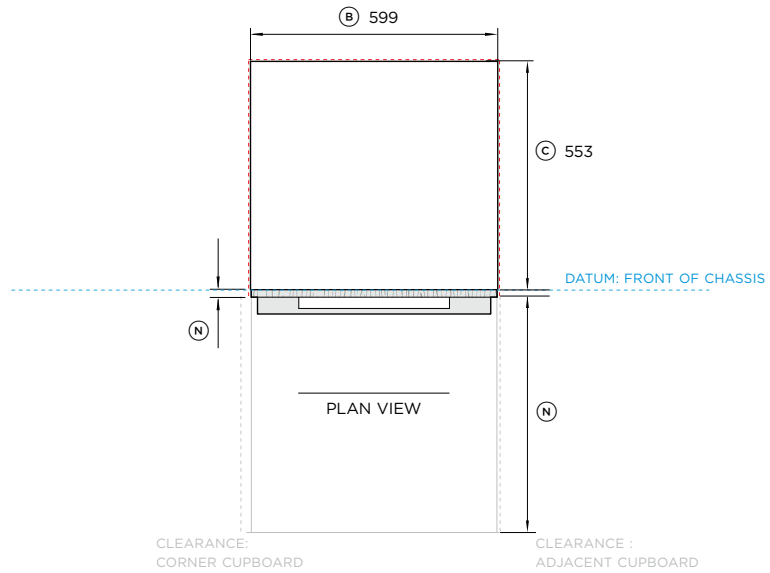
*Depending on adjust*ent of levelling feet
**Excluding custom toe kick and door panel

| Minimum Clearances | mm |
|---|-----|
| Minimum inside height of cavity*** | 865 |
| Minimum inside width of cavity | 600 |
| Minimum overall depth of cavity**** | 578 |
| Minimum clearance to corner cupboard | 13 |
| Minimum clearance to adjacent cupboard door | 2 |

***Depending on adjustment of levelling feet
****Including 19mm door panels on adjacent cabinetry
NOTE: Custom door panel and toe kicks to be manufactured/fitted by cabinetmaker.

INDICATES CABINETRY / PRODUCT DATUM -----
INDICATES CABINETRY CLEARANCES - - - - -
INDICATES CUTOUT - - - - -

IMPORTANT NOTE: Throughout this guide, dimensions may vary by ±2mm (1/16"). Please read the installation manual for detailed information on installing the product. For full installation instructions & specifications visit fisherpaykel.com



Model no:

DD60DTX6H11 CN Integrated Tall Double DishDrawer™ Dishwasher

Product includes the following toe kicks:

- 1 Flush Pre-Finished Toe Kick
 - 2 Recessed Pre-Finished Toe Kick (also used as a custom toe kick bracket)
- Shown with Custom Panels and Contemporary Square Fine Handle.
NOTE: Refer to Purchase Decision page for all door panel and handle options.

Product Dimensions

| | mm |
|--|-----------|
| A Overall height of product* | 865 - 925 |
| B Overall width of product | 599 |
| C Overall depth of product (without handle and door panel) | 553 |
| D Height of chassis | 855 |
| E Depth of chassis | 553 |
| F Height of feet | 10 - 70 |
| G Flush pre-finished toe kick height 1 | 45 - 123 |
| Recessed Pre-Finished Toe Kick height 2 | 45 - 123 |
| H Flush pre-finished toe kick width 1 | min. 596 |
| Recessed Pre-Finished Toe Kick width 2 | 596 |
| I Flush pre-finished toe kick depth 1 ** | 20 - 36 |
| Recessed Pre-Finished Toe Kick depth 2 ** | 40 - 100 |
| J Height of upper custom door panel | 442 |
| K Height of lower custom door panel | 311 |
| L Height of toe kick space | 58 - 118 |
| M Maximum extension of drawer | 527 |
| N Depth of custom door panel | 18 |
| O Overall height of custom door panels | 761 |
| P Door panel width | 595 |

*Depending on adjust*ent of levelling feet
**Excluding custom toe kick and door panel

Minimum Clearances

| | mm |
|---|-----------|
| Minimum inside height of cavity*** | 865 |
| Minimum inside width of cavity | 600 |
| Minimum overall depth of cavity**** | 578 |
| Minimum clearance to corner cupboard | 13 |
| Minimum clearance to adjacent cupboard door | 2 |

*** Depending on adjustment of levelling feet

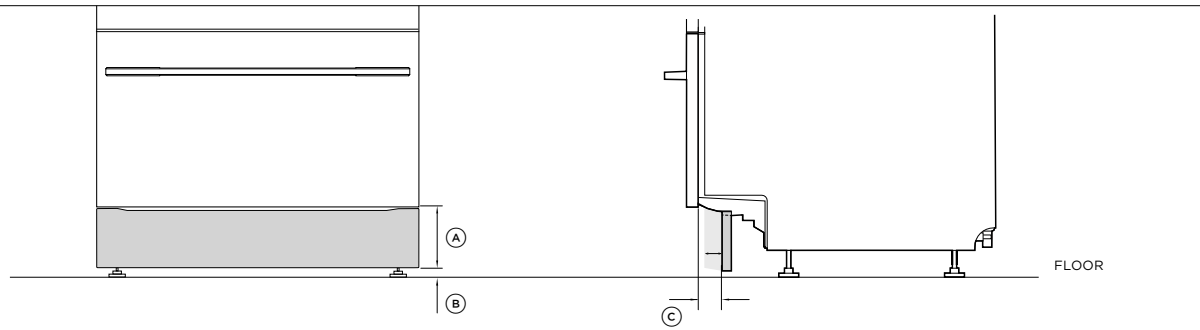
****Including 19mm door panels on adjacent cabinetry

NOTE: Custom door panel and toe kicks to be manufactured/fitted by cabinetmaker.

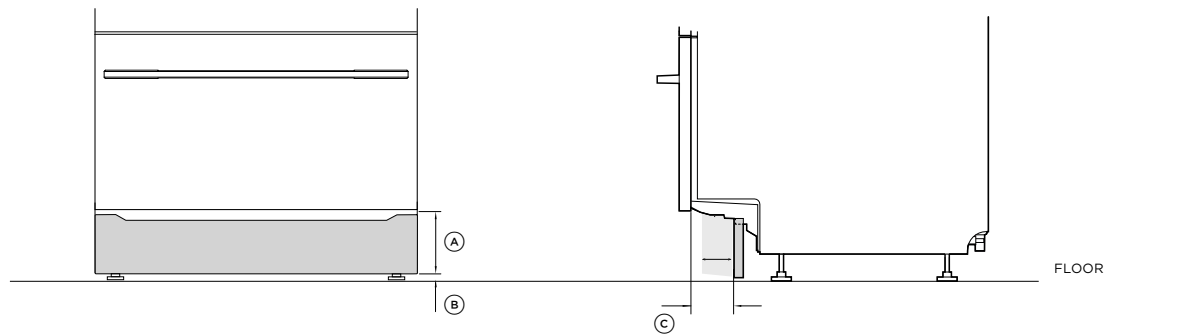
INDICATES CABINERY / PRODUCT DATUM -----
INDICATES CABINERY CLEARANCES - - - - -
INDICATES CUTOUT - - - - -

IMPORTANT NOTE: Throughout this guide, dimensions may vary by ±2mm (1/16"). Please read the installation manual for detailed information on installing the product. For full installation instructions & specifications visit fisherpaykel.com

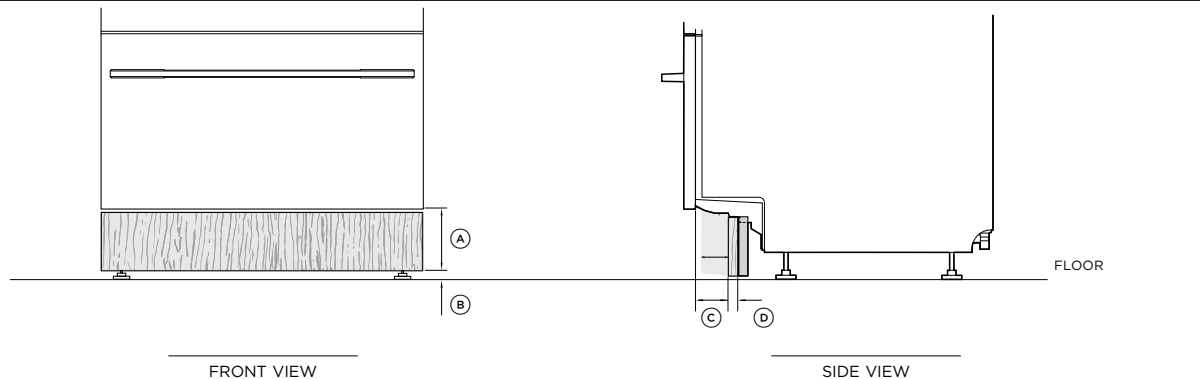
1 FLUSH PRE-FINISHED TOE KICK



2 RECESSED PRE-FINISHED TOE KICK



3 RECESSED PRE-FINISHED TOE KICK WITH CUSTOM TOE KICK PANEL



Model no:

DD60DTX6H11 CN Integrated Tall Double DishDrawer™ Dishwasher

FLUSH PRE-FINISHED TOE KICK

| | mm |
|---|-----------|
| 1 Flush Pre-Finished Toe Kick Depth | |
| A Toe kick panel height | 45 - 123 |
| B Minimum clearance between toe kick panel and floor | 12 |
| C Depth of toe kick recess* | 20 - 36 |

* Back of door to front of toe kick

RECESSED PRE-FINISHED TOE KICK

| | mm |
|---|-----------|
| 2 Recessed Pre-Finished Toe Kick Depth | |
| A Toe kick panel height** | 45 - 123 |
| B Minimum clearance between toe kick panel and floor | 12 |
| C Depth of toe kick recess*** | 40 - 100 |

** The further back the toe kick

*** Back of door to front of toe kick

3 Recessed Pre-Finished Toe Kick with Custom Toe Kick Panel Depth

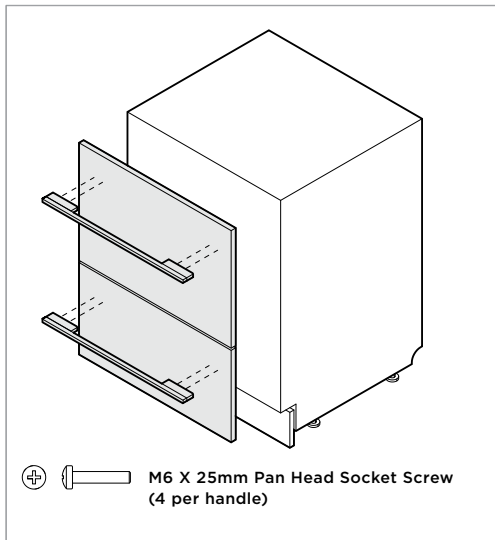
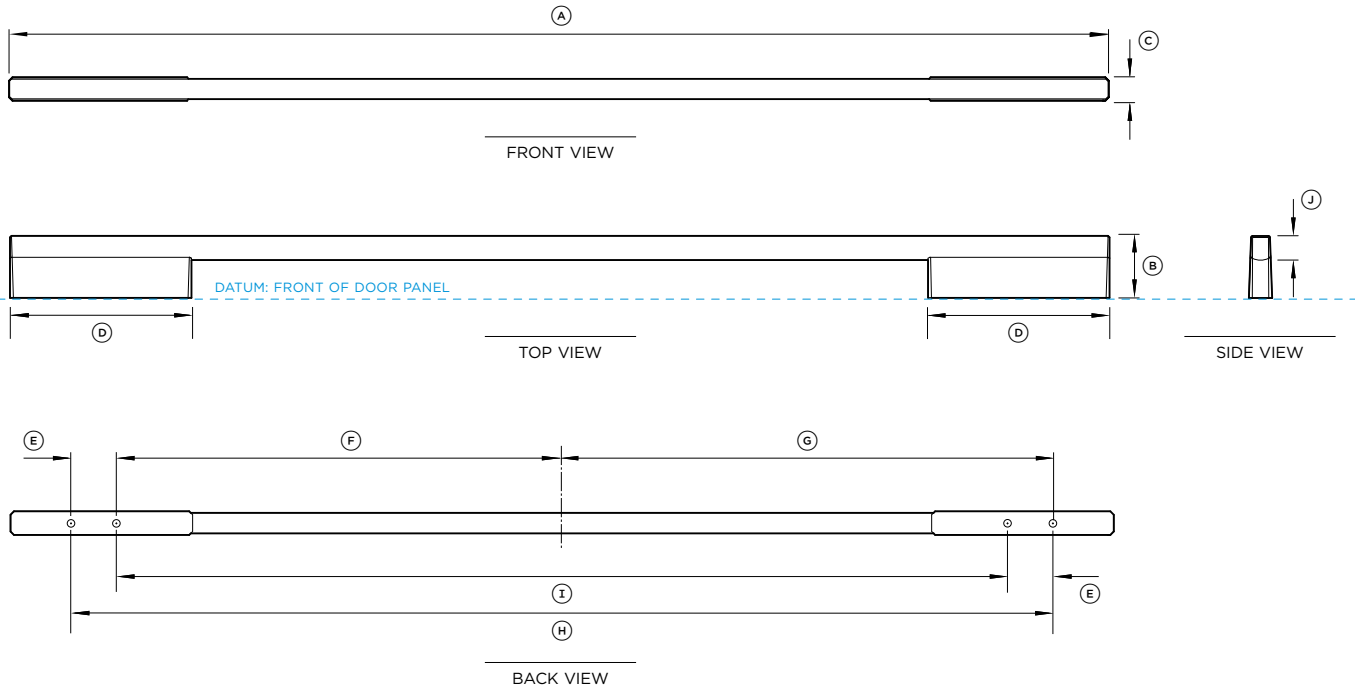
| | mm |
|---|-----------|
| A Toe kick panel height | 45 - 123 |
| B Minimum clearance between toe kick panel and floor | 12 |
| C Depth of toe kick recess**** | 21 - 81 |
| D Minimum custom toe kick panel depth (thickness) | 9 |

**** Back of door to front of custom toe kick, assuming a 19mm thick custom toe kick panel is used

INDICATES CABINETY / PRODUCT DATUM -----
 INDICATES CABINETY CLEARANCES -----
 INDICATES CUTOUT -----

IMPORTANT NOTE: Throughout this guide, dimensions may vary by ±2mm (1/16"). Please read the installation manual for detailed information on installing the product. For full installation instructions & specifications visit fisherpaykel.com

HANDLE KITS



Model no:

- AHD5DDW60S** Contemporary Square Fine Handle, 60cm
 - AHD5DDW60B** Contemporary Square Fine Black Handle, 60cm
- Note: Double DishDrawer™ Dishwasher requires two handle kits (Single DishDrawer™ Dishwasher requires one handle kit).

For models:

- DD60DH19 Integrated Double DishDrawer™ Dishwasher
- DD60DTX6H11 Integrated Tall Double DishDrawer™ Dishwasher

Compatible with door panel kits:

- ADDD60DPX Stainless steel door panel for Double DishDrawer™ Dishwasher
- ADDD60DTPX Stainless steel door panel for Double DishDrawer™ Dishwasher, Tall
- ADDD60DPB Black stainless steel door panel for Double DishDrawer™ Dishwasher
- ADDD60DTPB Black stainless steel door panel for Double DishDrawer™ Dishwasher, Tall

Handle Dimensions

| | mm |
|--|-------|
| (A) Overall length of handle | 565 |
| (B) Overall depth of handle | 41 |
| (C) Overall height of handle | 15 |
| (D) Length of off-stand | 100 |
| (E) Distance between attachment holes between each off-stand | 32 |
| (F) Distance from centerline to inner attachment holes | 216 |
| (G) Distance from centerline to outer attachment holes | 248.5 |
| (H) Distance between inner attachment holes | 432 |
| (I) Distance between outer attachment holes | 497 |
| (J) Thickness of handle rail | 16 |

*Double DishDrawer™ Dishwasher - the dimensions are the same for both handles.
 *Suits standard 19mm panel. Thicker panels may require counterboring or longer screws.

INDICATES CABINETRY / PRODUCT DATUM -----
 INDICATES CABINETRY CLEARANCES -----
 INDICATES CUTOUT -----

IMPORTANT NOTE: Throughout this guide, dimensions may vary by ±2mm (1/16"). Please read the installation manual for detailed information on installing the product. For full installation instructions & specifications visit fisherpaykel.com

FISHER & PAYKEL